

Fully non-corrosive accumulators to supply hot domestic water

ELTE s.r.o.

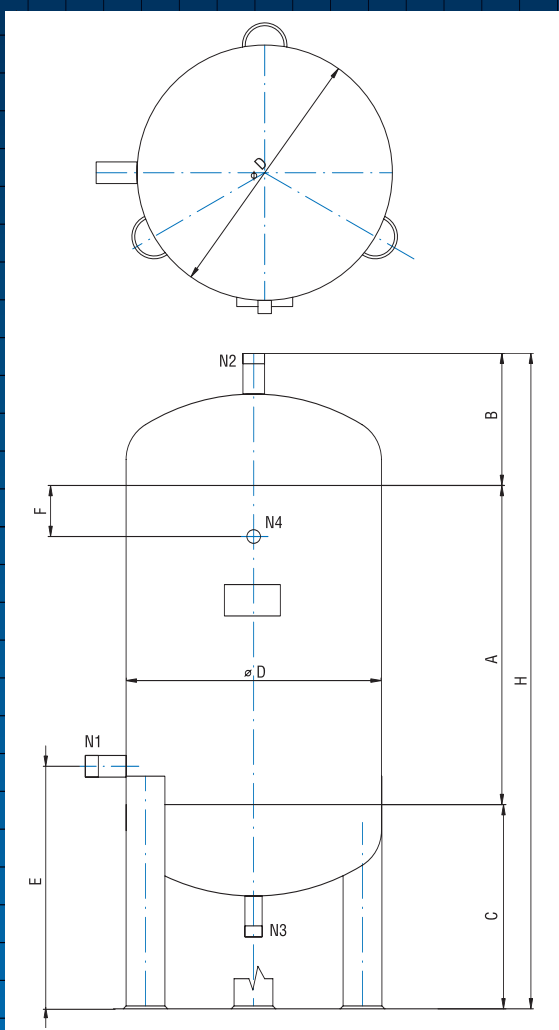
Company seat, sale & service:

ELTE s.r.o., Velká hradební 37, Ústí nad Labem 400 01
Phone: +420 475 210 099; Facsimile: +420 475 211 066
E-mail: elte@elte-ustinl.cz

Buštěhrad – Manufacturing Centre:

ELTE s.r.o., Kladenská 550, Buštěhrad 273 43
Phone/Facsimile: +420 312 250 233; +420 312 250 724
E-mail: vyroba@elte-ustinl.cz

<http://www.elte-ustinl.cz>



Construction parameters

	I.	II.
Working overpressure/		
max. temperature:	0,6 MPa/90 °C	1,0 MPa/90 °C
Version:	vertical on three legs	
Material:	WNR 1.4541, AISI 321 (ČSN 17 248.4)	
Essential equipment:	sleeve pieces as per Table attached	
Surface of accumulator:	stained, with surface passivation, insulation free	

Apart from MAX-type heat exchangers, the company manufactures fully non-corrosive hot domestic water standard-type accumulators of volumes up to 200,000 l intended for overpressures of 0,6 MPa and 1,0 MPa, respectively.

Version: Vertical on three legs, AISI 304 (ČSN 17240) material, with standard sleeve pieces

Surface of accumulator: stained + surface passivation, insulation-free

Delivery times: Usually up to 3 weeks from binding order; non-standard atypical assignments to be agreed (ELTE s.r.o. shop floor). 100%-dimension replacements of your accumulators with expired lifetime feasible.



Out of the standard production line, the following stuff is offered:

- removable or firmly built-in non-corrosive heating spirals intended for heating using a central heating circuit or solar panels
- sleeve pieces for installation of heating elements
- other assignments for accumulators as per designer/investor requirements (based ELTE s.r.o. shop floor)
- combinations of equipment offered
- other dimensions of sleeve pieces and placement thereof as per customer order
- 100%-dimension replacements of expired lifetime accumulators thermal insulation.

Key to table:

A	height of shell	C	dividing plane separating bottom plate and shell from floor
D	diameter of shell	E	spacing of side sleeve piece from floor
V	accumulator volume	N 1;2	upper and side sleeve pieces
H	total height	N 2	bottom cap sleeve piece
F	spacing of temperature sleeve piece	N 3	temperature sleeve piece
B	bottom plate height		

D	B	C	E	A = 625 mm			A = 1000 mm			A = 1250 mm			A = 1500 mm					
				N 1;2	N 3	N 4	V	H	F	V	H	F	V	H	F			
mm	mm	mm	mm	G	G	G	l	mm	mm	l	mm	mm	l	mm	mm	l	mm	mm
400	135	350	410	1"	3/4"	1/2"	100	1170	100	150	1545	150	180	1795	200	210	2045	300
500	150	400	475	5/4"	1"	1/2"	170	1235	100	250	1610	150	300	1860	200	350	2110	300
600	185	450	530	6/4"	5/4"	1/2"	250	1320	100	360	1695	150	430	1945	200	500	2195	300
700	205	500	575	2"	6/4"	1/2"	360	1385	100	500	1760	150	600	2010	200	700	2260	300
800	230	500	575	2"	6/4"	1/2"	500	1415	100	670	1790	150	800	2040	200	920	2290	300
900	255	550	650	2 1/2"	2"	1/2"	630	1490	100	870	1865	150	1000	2115	200	1200	2365	300
1000	280	550	650	3"	2 1/2"	1/2"	800	1515	100	1100	1890	150	1300	2140	200	1430	2390	300
1100	305	600	700	3"	2 1/2"	1/2"	1000	1540	100	1350	1915	150	1600	2165	200	1830	2415	300

